

RAYBRO[®]

Toiletblokhouder

Einwurfschacht

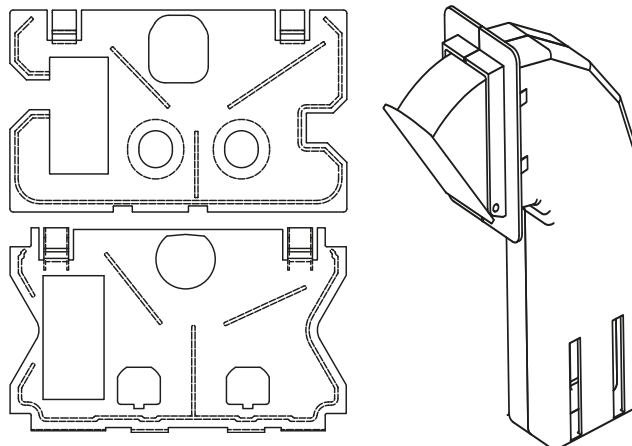
Le support de plaque pour insertion de bloc d'eau bleue

Insert for in cistern blocks

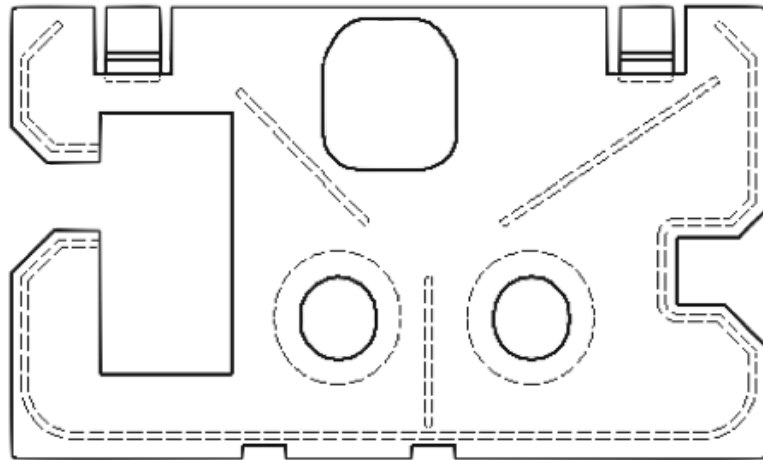
Installation Manual

Specially designed for:

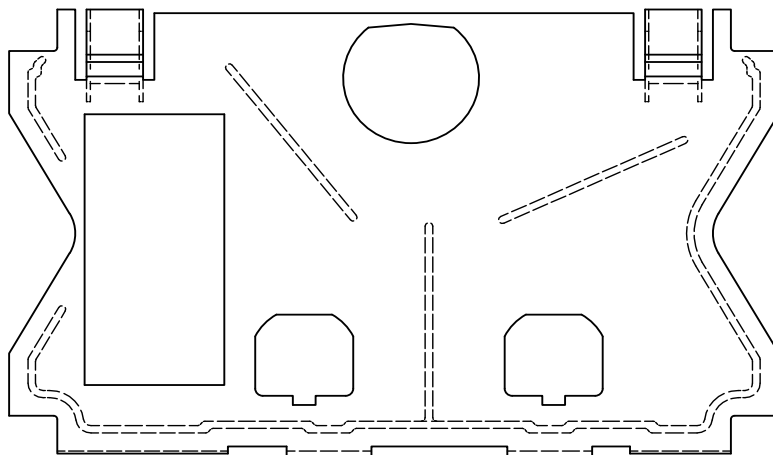
- Geberit UP100 - Delta Systems.
- Geberit UP300, UP320 & Sigma 12 cm Systems.
- JomoTech (only in combination with a RAYBRO flush plate or StarBlueDisc flush plate).
- REZI Systems (only in combination with a RAYBRO flush plate or StarBlueDisc flush plate).
- Kronenbach Systems (only in combination with a RAYBRO flush plate or StarBlueDisc flush plate).



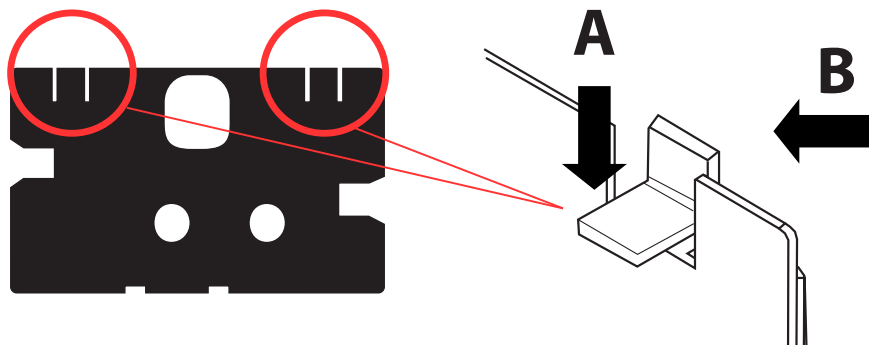
Geberit UP100 – Geberit Delta Systems



Geberit Sigma 12 cm (UP320-UP300).
***JomoTech, REZI & Kronenbach Systems.**

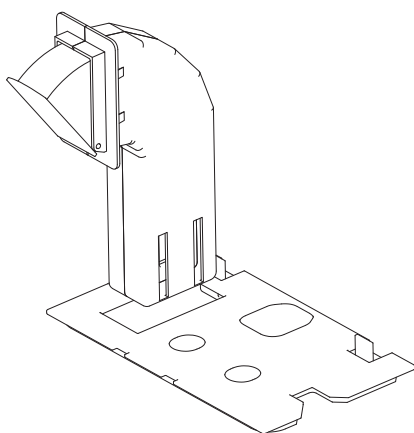
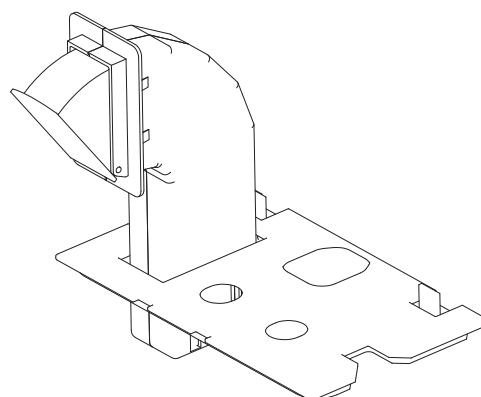


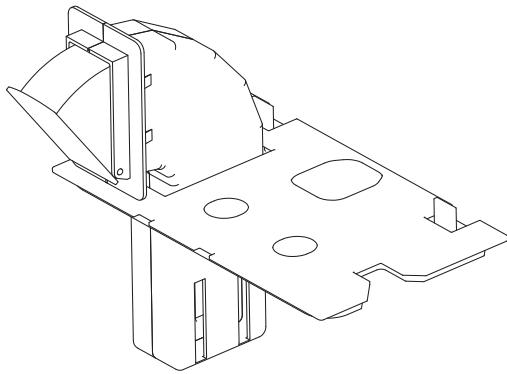
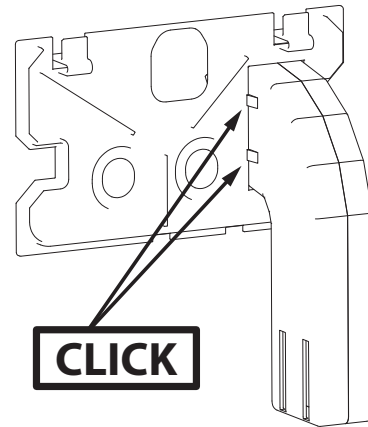
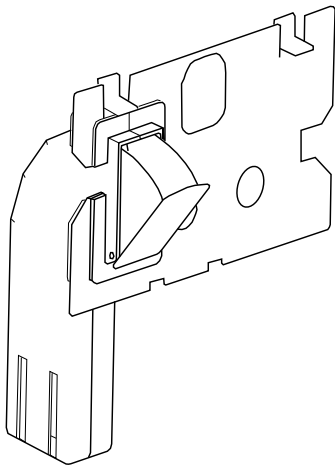
***NOTE:** The RAYBRO insert can only be installed in the JomoTech, REZI and Kronenbach systems, in combination with a RAYBRO flush plate or StarBlueDisc flush plate.

1

- NL:** Verwijder het Serviceluik
EN: Remove the Backplate.
DE: Entferne die Schutzplatte.
FR: Supprimer la plaque de protection.

- NL:** Kies een Serviceluik, op basis van de overzichten.
EN: Choose Backplate based on the overviews.
DE: Wählen Sie Schutzplatte, basierend auf den Übersichten.
FR: Choisissez la plaque arrière, en fonction des aperçus.

2**3**

4**5****6**

NL: Plaats Toiletblokhouders waar servicelukkig voorheen zat.

EN: Place insert where backplate was before.

DE: Installiere Einwurfschacht wo Schutzplatte zuerst war.

FR: Placez le insert sur la place la plaque de protection.

NOTE: The insert can only be installed in the JomoTech, REZI and Kronenbach systems, when you also use a RAYBRO flush plate or StarBlueDisc flush plate.

RAYBRO
Innovations

RAYBRO Innovations BV
Koolwitje 25
5711NN Someren
Info@raybro.nl